

CI/SfB	(29)	Lm1	(K2)
CAW P10			
Uniclass JP10:P318			

Product Information

Description

FI140 Shutter Slab is a rigid, moisture resistant, non-combustible, rock mineral wool slab.

Usage / Purpose

FI140 is to be used as a shutter/dam for our Nullifire FR230 Intucompound Fire Mortar, for use in fire compartment separating walls & floors.

Size

Standard sizes: 1200 x 600 x 50 mm
Density: 140 kg

Availability

Direct from Tremco CPG UK Limited (see details on this TDS).

Usage Guidelines

Always read SDS, pre-application guidance and relevant application detail for FR230 to the installation of FI140. Ensure the latest documents are downloaded prior to every project commencement.

Protective Equipment

Ensure all recommended protective equipment is worn during handling & use of this product. For full recommendation, refer to safety data sheets for both FI140 and FR230.

Installation

FI140 may be installed under compression, or supported on a steel framework system. If compressed, a minimum of 2 opposite sides must be under compression of a minimum of 3mm. Please refer to FR230TDS for full guidance.

Vapour Resistivity

FI140 offers negligible resistance to the passage of water vapour and has a water vapour resistance of 5.00 MNs/gm.

Moisture Resistance

FI140 when tested to BS 2972:1989:section 12, and exposed to a relative humidity of 90%, at 20°C, absorbs less than 0.004% of moisture.

Storage

Store internally or under cover, in dry conditions between -10°C and +70°C. Do not store directly on concrete floors.

Shelf Life

Unlimited when stored as advised.

Health & Safety Precautions

Safety data sheet must be read and understood before use.

Technical Service

Tremco CPG UK Limited has a team of experienced Technical Sales Representatives who provide assistance in the selection and specification of products. For more detailed information, service and advice, please call Customer Services on +44 (0)1942 251400.

Guarantee / Warranty

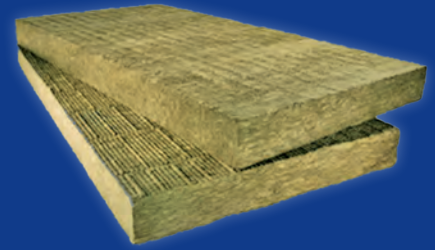
Tremco CPG UK Limited products are manufactured to rigid standards of quality. Any product which has been applied (a) in accordance with Tremco CPG UK Limited written instructions and (b) in any application recommended by Tremco CPG UK Limited, but which is proved to be defective, will be replaced free of charge.

No liability can be accepted for the information provided in this leaflet although it is published in good faith and believed to be correct.

Tremco CPG UK Limited reserves the right to alter product specifications without prior notice, in line with Company policy of continuous development and improvement.

FI140

Shutter Slab



Key Benefits Summary

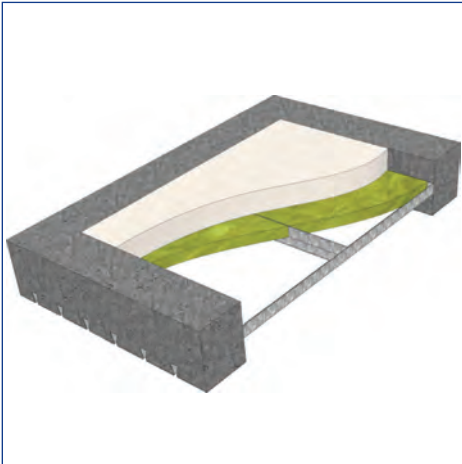
- **Non-combustible: Euroclass A1 to EN13501-1**
- **Easy to cut**
- **Durable and non-hydroscopic**
- **Rot proof, does not sustain vermin**
- **Excellent acoustic properties, up to 50 dB**
- **Excellent thermal properties: 0.038 W/mK**
- **Odourless**

F1140

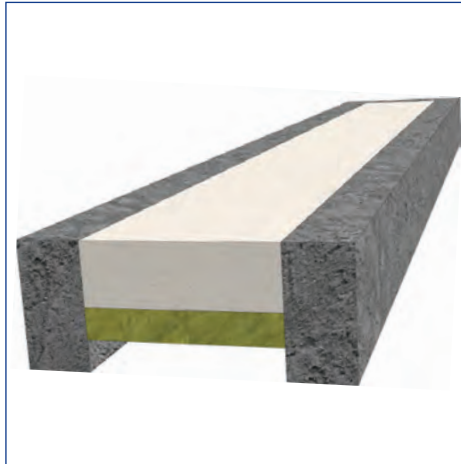
Shutter Slab

Nullifire
Smart Protection

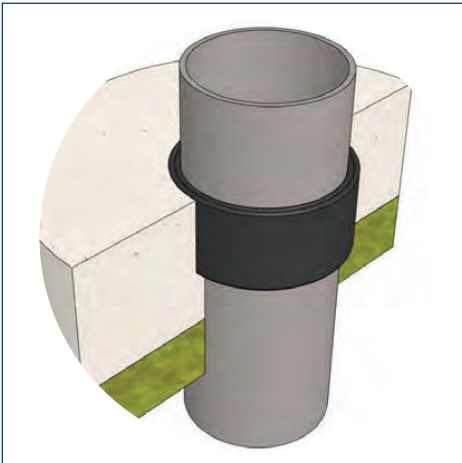
Typical Details



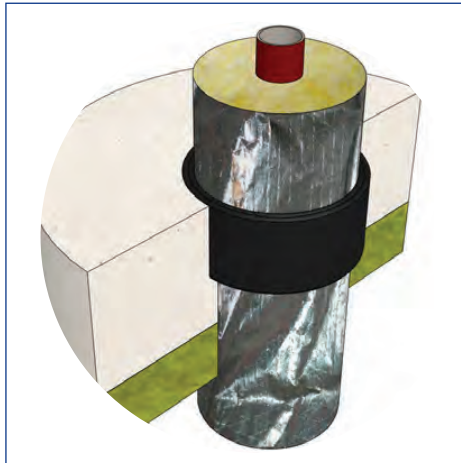
FR230 Intucompound + F1140 Shutter Slab + framework for loadbearing openings above 1100 mm x 1100 mm



FR230 Intucompound + F1140 Shutter Slab for loadbearing unlimited lengths seals up to 300 mm width



FR230 Intucompound + F1140 Shutter Slab + FP302 Intustrap for combustible pipe penetrations: EI120



FR230 Intucompound + F1140 Shutter Slab + FP302 Intustrap for insulated non-combustible pipe penetrations: EI120