

CI/SfB	(29)	(K2)
CAW P10		
Uniclass JP10:L68114		

## Product Information

### Description

FJ400 Intuspan is an extremely compressible, foam based, joint filler. The product is black in colour, and consists of foam layers between high expansion intumescent layers.

It provides a high level of physical movement, and can offer up to 2 hours integrity and insulation, with no adhesive required in most situations.

### Usage / Purpose

FJ400 is used to reinstate the performance of fire compartment lines, both walls and floors, where construction joints require a physical movement seal and a specific fire rating. It has been tested in linear joints from 12 mm to 115 mm gap width, and is suitable for use between horizontal and vertical elements.

FJ400 has 60% physical movement capability (compress and return) ; with the correct material set, it offers ±30% movement (30% extension, 30% compression).

It is tolerant of very large movement and is used in areas where standard mastic joints are not suitable, such as large gaps over 35 mm, acoustic isolation joints and areas subject to regular cycles of expansion and contraction or vibration, both in compression and shear, where reliability is vital. In addition, Intuspan is particularly suitable for buildings being designed for earthquake zones or military buildings designed to withstand high ground movement shockwaves.

### Colour

Black

### Dimensions & Suitability

Actual product sizes (H x W x L) (mm)	Min nominal gap width (mm)	Max nominal gap width (mm)	Max nominal gap width with adhesive (mm)
28 x 25 x 1000	12	25	28
56 x 25 x 1000	23	50	56
56 x 50 x 1000	23	50	56
87 x 50 x 1000	35	75	87
117 x 100 x 1000	47	100	117

### Availability

Direct from Tremco CPG UK Limited (see details on this TDS).

## Usage Guidelines

Always read SDS, pre-application guidance and relevant application detail prior to application. Ensure the latest documents are downloaded prior to every project commencement.

### Installation

- Ensure gaps to be filled are the correct specified size and consistent width.
- Ensure fire resistance of FJ400 corresponds or exceeds the requirements of the fire strategy / compartment.
- Check for obstructions to the gap such as ties between steel and masonry and mortar snots. FJ400 may have to be cut around unavoidable obstructions such as wall ties.
- Carefully remove a length of FJ400 from its packaging. Starting from one end, gently compress FJ400 (using only hand pressure) and insert suitably into required location.
- Consult Performance Data table to ensure correct location requirement is achieved.
- Repeat above process moving along the linear seal, ensuring mating butt joints between lengths of FJ400, until compartment seal is completed.
- It is not normally necessary to use adhesive to retain FJ400. If the gap tolerances are at the maximum height at the FJ400, the FJ400 product is then required to be bonded. To create the bond, use Nullifire FS703 Fire Rated Silicone Sealant (10mm bead along the length of each substrate abutting face).
- Finally inspect the finished work to ensure compliance with instructions.

### Important Information

- FJ400 must be mechanically restrained if used against any non fire rated element (cladding).
- Excessive construction tolerance should be notified to the site manager or engineer.
- In case of airtightness / watertightness requirement, use FS703 to the exposed face, minimum 3 mm thickness.

### Storage

Store in dry conditions between -10°C and +70°C.

# FJ400

## Intuspan Intumescent Joint Filler



### Key Benefits Summary

- Up to 2 hours fire performance - Tested to BS EN 1366-4 and BS 476 Pt 22
- Ideal for high vibration areas, such as elevator shaft interfaces
- Unaffected by moisture
- Easy to install by hand
- Full dry system
- Suits vertical & horizontal joints, and head of walls.

 **certifire**  
APPROVAL N° CF582

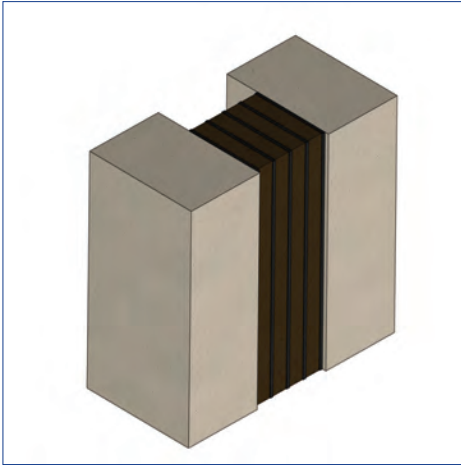


# FJ400

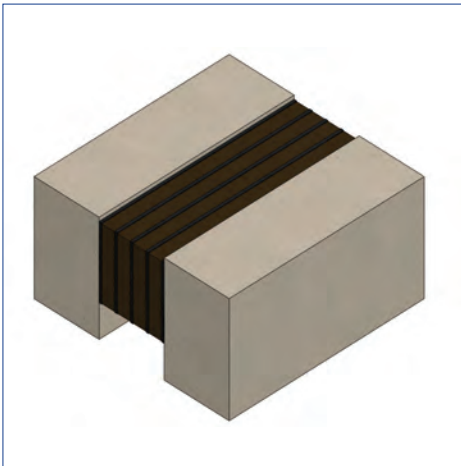
## Intuspan Intumescent Joint Filler

**Nullifire**  
Smart Protection

### Typical Details



FJ400 in concrete wall



FJ400 in concrete floor

### Performance Data

Substrate	Installation	Suitable Size (mm)	Classification		
			Integrity & Insulation	Application & Usage	Gap Width Range
<b>FLOOR JOINTS</b>					
<b>FJ400 Linear Joint Seals in Rigid Floors 150 mm thick (min.)</b>					
AAC-AAC	Top Side	28 x 25 x 1000	EI120	T - X - F	W 12-25
AAC-AAC	Top Side	56 x 25 x 1000	EI120	T - X - F	W 23-50
AAC-AAC	Top Side	56 x 50 x 1000	EI120	T - X - F	W 23-50
AAC-AAC	Top Side	87 x 50 x 1000	EI120	T - X - F	W 35-75
AAC-AAC	Top Side	117 x 100 x 1000	EI120	T - X - F	W 47-100
<b>WALL JOINTS</b>					
<b>FJ400 Linear Joint Seals in Rigid Walls 100 mm thick (min.)</b>					
AAC-AAC	Both Sides	28 x 25 x 1000	EI120	T - X - F	W 12-25
AAC-AAC	Both Sides	56 x 25 x 1000	EI120	T - X - F	W 23-50
AAC-AAC	Both Sides	56 x 50 x 1000	EI120	T - X - F	W 23-50
AAC-AAC	Central	28 x 25 x 1000	EI120	T - X - F	W 12-25
AAC-AAC	Central	56 x 50 x 1000	EI120	T - X - F	W 23-50
AAC-AAC	Central	87 x 50 x 1000	EI120	T - X - F	W 35-75
AAC-AAC	Central	117 x 100 x 1000	EI120	T - X - F	W 47-100
<b>WALL JOINTS</b>					
<b>FJ400 Linear Joint Seals in FB750 Intubatt Frame Barrier 130 mm thick (min.)</b>					
AAC-Steel	Both Sides	56 x 50 x 1000	EI120	T - X - F	W 23-50

### Maximum Continuous Operating Temperature

+80°C (peak +100°C)

### Shelf Life

Unlimited when stored as recommended.

### Health & Safety Precautions

Safety data sheet must be read and understood before use.

### Technical Service

Tremco CPG UK Limited has a team of experienced Technical Sales Representatives who provide assistance in the selection and specification of products. For more detailed information, service and advice, please call Customer Services on +44 (0)1322 551010.

### Guarantee / Warranty

Tremco CPG UK Limited products are manufactured to rigid standards of quality. Any product which has been applied (a) in accordance with Tremco CPG UK Limited written instructions and (b) in any application recommended by Tremco CPG UK Limited, but which is proved to be defective, will be replaced free of charge.

No liability can be accepted for the information provided in this leaflet although it is published in good faith and believed to be correct.

Tremco CPG UK Limited reserves the right to alter product specifications without prior notice, in line with Company policy of continuous development and improvement.