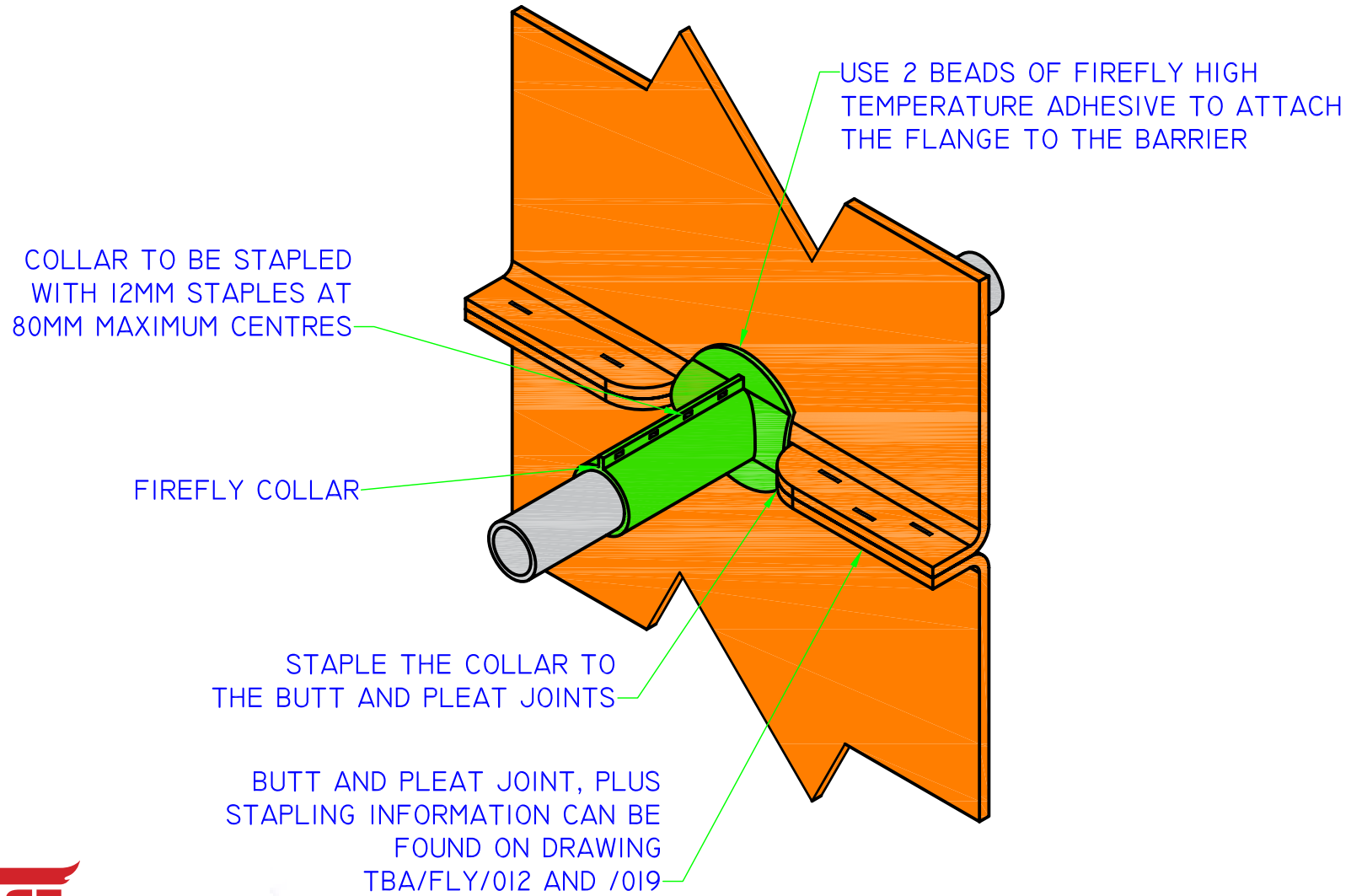




**Passive Fire  
Protection**

**Installation Drawing Catalogue  
Issue 3**



A	NEW DRAWING
<b>ISSUE</b>	<b>DESCRIPTION</b>

ALL RIGHTS RESERVED, NO PART OF THIS DRAWING MAY BE USED, REPRODUCED, ALTERED, STORED IN A RETRIEVAL SYSTEM OR TRANSMITTED IN ANY FORM OR BY ANY MEANS WITHOUT THE PRIOR WRITTEN PERMISSION OF TBA TEXTILES LIMITED. COPYRIGHT 2008.

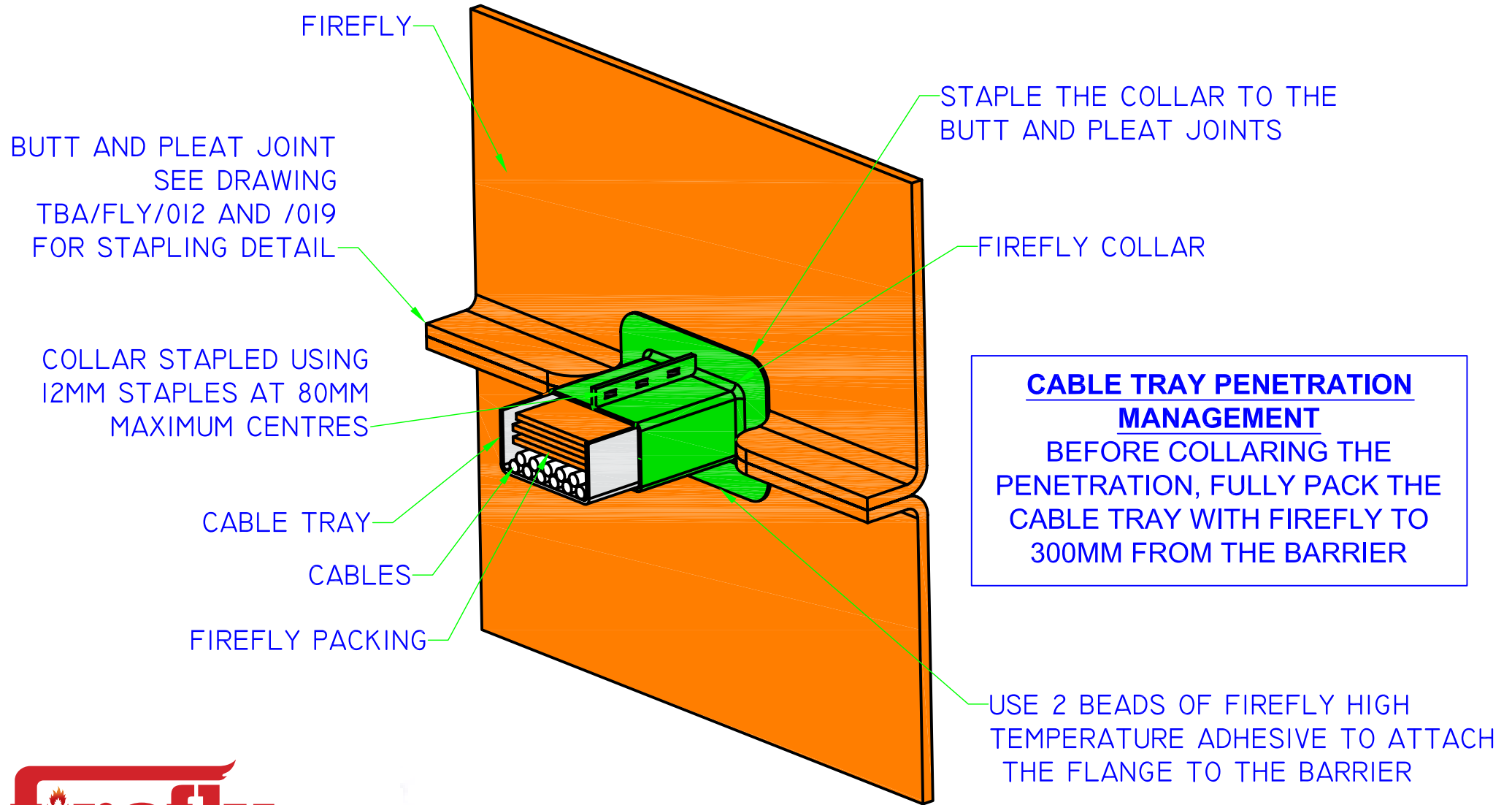


**TBA TEXTILES LIMITED**  
 Unit 3  
 Transpennine Trading Estate  
 Gorrells Way, Rochdale  
 OL11 2PX  
 Tel: +44 (0)1706 758817  
 Fax: +44 (0)1706 750256  
 www.tbafirefly.co.uk

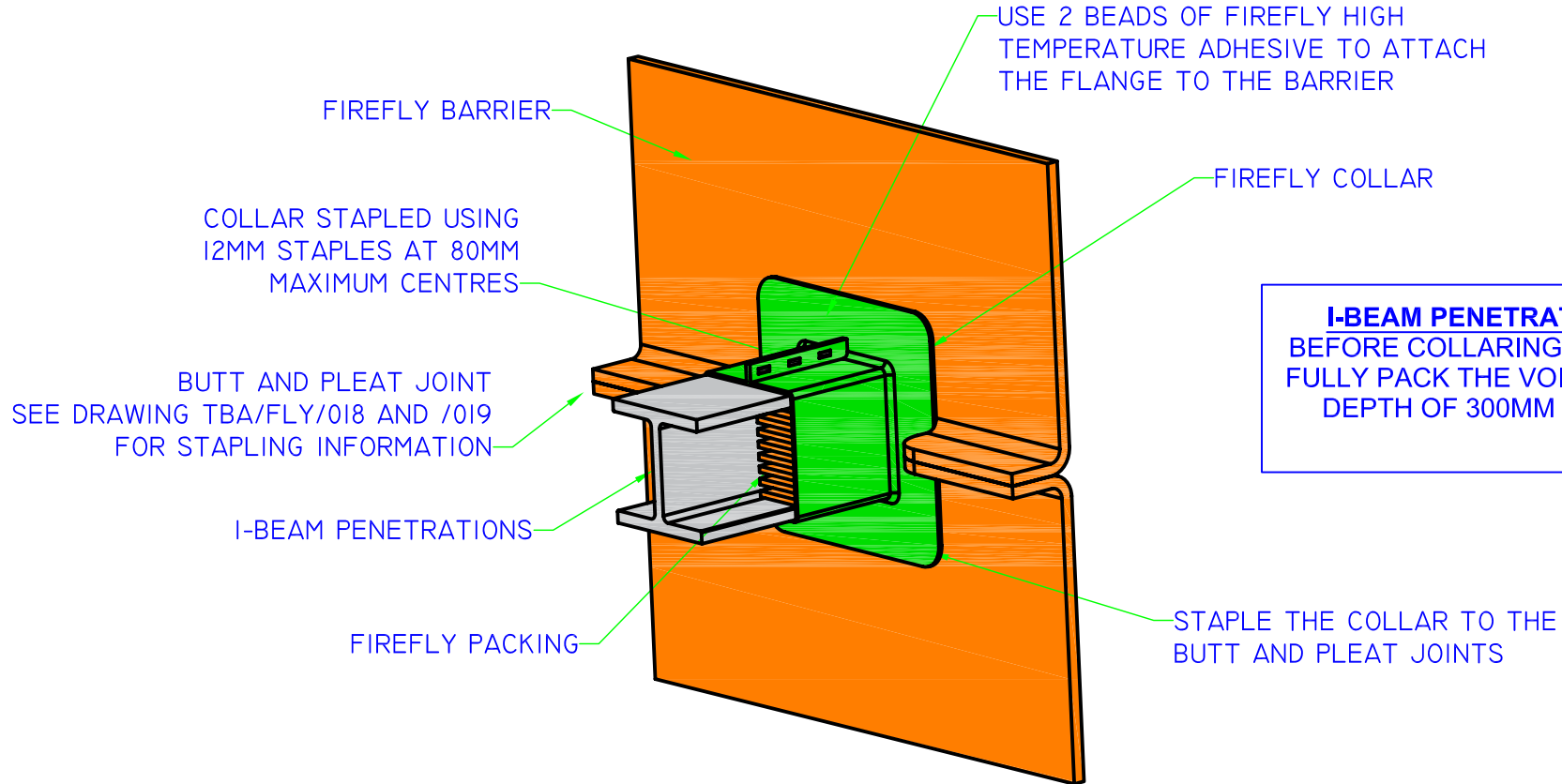
<b>DRAWN:</b>	SNC
<b>CHECKED:</b>	MT
<b>APPROVED:</b>	VF
<b>SCALE:</b>	NTS
<b>DATE:</b>	26/05/08

**TITLE:**  
 FIREFLY -- ALL PRODUCTS  
 COLLARED PIPE PENETRATION

**DRAWING No.**  
 TBA/FLY/020



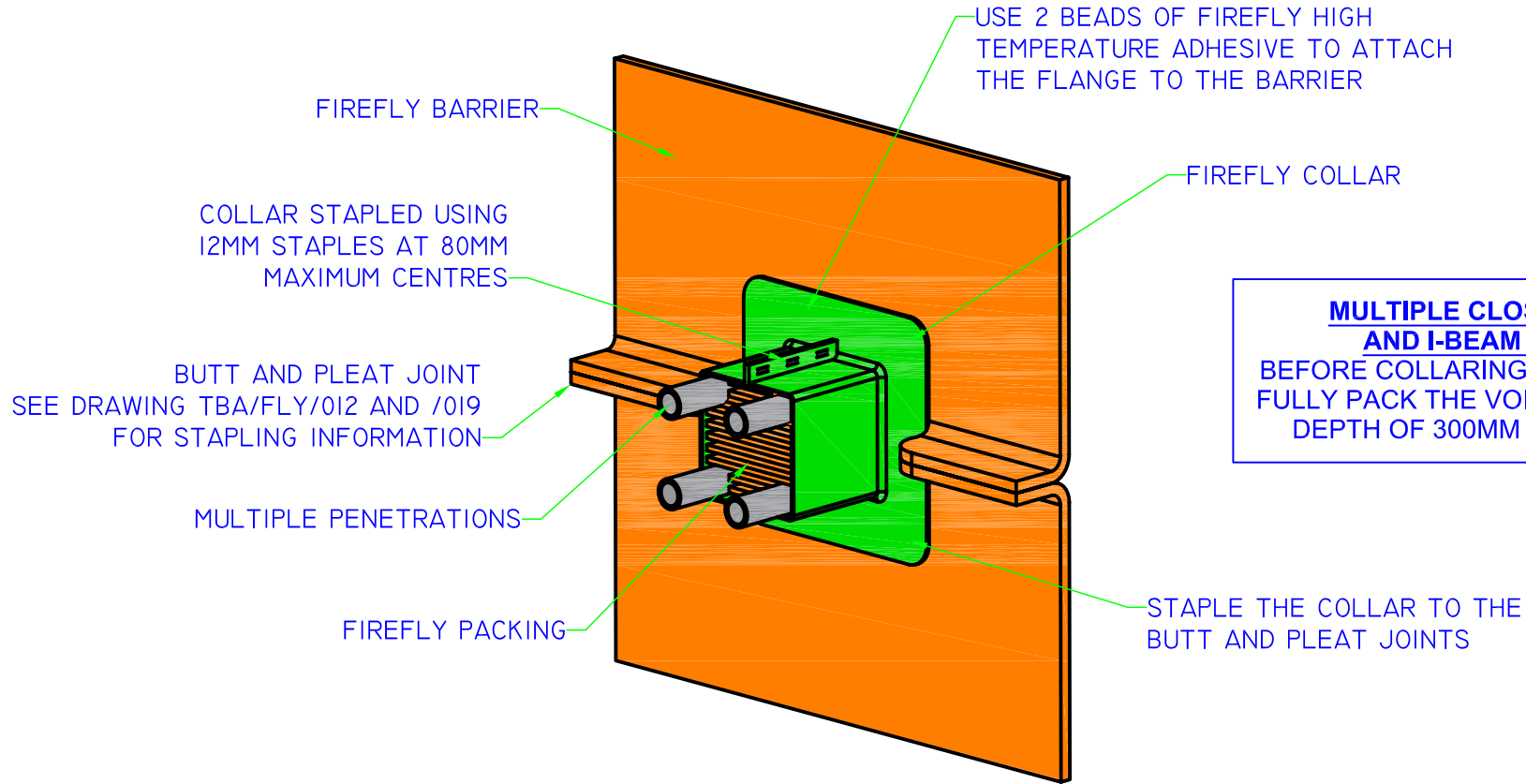
		ALL RIGHTS RESERVED, NO PART OF THIS DRAWING MAY BE USED, REPRODUCED, ALTERED, STORED IN A RETRIEVAL SYSTEM OR TRANSMITTED IN ANY FORM OR BY ANY MEANS WITHOUT THE PRIOR WRITTEN PERMISSION OF TBA TEXTILES LIMITED. COPYRIGHT 2008.		<b>TBA TEXTILES LIMITED</b> Unit 3 Transpennine Trading Estate Gorrells Way, Rochdale OL11 2PX Tel: +44 (0)1706 758817 Fax: +44 (0)1706 750256 www.tbafirefly.co.uk		<b>DRAWN:</b> SNC	<b>TITLE:</b> FIREFLY -- ALL PRODUCTS CABLE TRAY PENETRATION  <b>DRAWING No.</b> TBA/FLY/021
				<b>CHECKED:</b> MT			
				<b>APPROVED:</b> VF			
				<b>SCALE:</b> NTS			
A	NEW DRAWING			<b>DATE:</b> 26/05/08			
<b>ISSUE</b>	<b>DESCRIPTION</b>						



**I-BEAM PENETRATION MANAGEMENT**  
 BEFORE COLLARING THE PENETRATION(S), FULLY PACK THE VOIDS WITH FIREFLY TO A DEPTH OF 300MM FROM THE BARRIER



		ALL RIGHTS RESERVED, NO PART OF THIS DRAWING MAY BE USED, REPRODUCED, ALTERED, STORED IN A RETRIEVAL SYSTEM OR TRANSMITTED IN ANY FORM OR BY ANY MEANS WITHOUT THE PRIOR WRITTEN PERMISSION OF <b>TBA TEXTILES LIMITED.</b> COPYRIGHT 2008.		<b>TBA TEXTILES LIMITED</b> P.O Box 40, Rochdale, Lancashire, OL12 7EQ  Tel: +44 (0)1706 758817 Fax: +44 (0)1706 750256 www.tbafirefly.co.uk	<b>DRAWN:</b>	SNC	<b>TITLE:</b> FIREFLY I-BEAM PENETRATION  <b>DRAWING No.</b> TBA/FLY/075
					<b>CHECKED:</b>	MT	
					<b>APPROVED:</b>	VF	
					<b>SCALE:</b>	NTS	
					<b>DATE:</b>	03/12/10	
<b>ISSUE</b>	<b>DESCRIPTION</b>						
A	NEW DRAWING						



**MULTIPLE CLOSE PENETRATION AND I-BEAM MANAGEMENT**  
 BEFORE COLLARING THE PENETRATION(S), FULLY PACK THE VOIDS WITH FIREFLY TO A DEPTH OF 300MM FROM THE BARRIER



ISSUE	DESCRIPTION
A	NEW DRAWING

ALL RIGHTS RESERVED, NO PART OF THIS DRAWING MAY BE USED, REPRODUCED, ALTERED, STORED IN A RETRIEVAL SYSTEM OR TRANSMITTED IN ANY FORM OR BY ANY MEANS WITHOUT THE PRIOR WRITTEN PERMISSION OF TBA TEXTILES LIMITED. COPYRIGHT 2008.

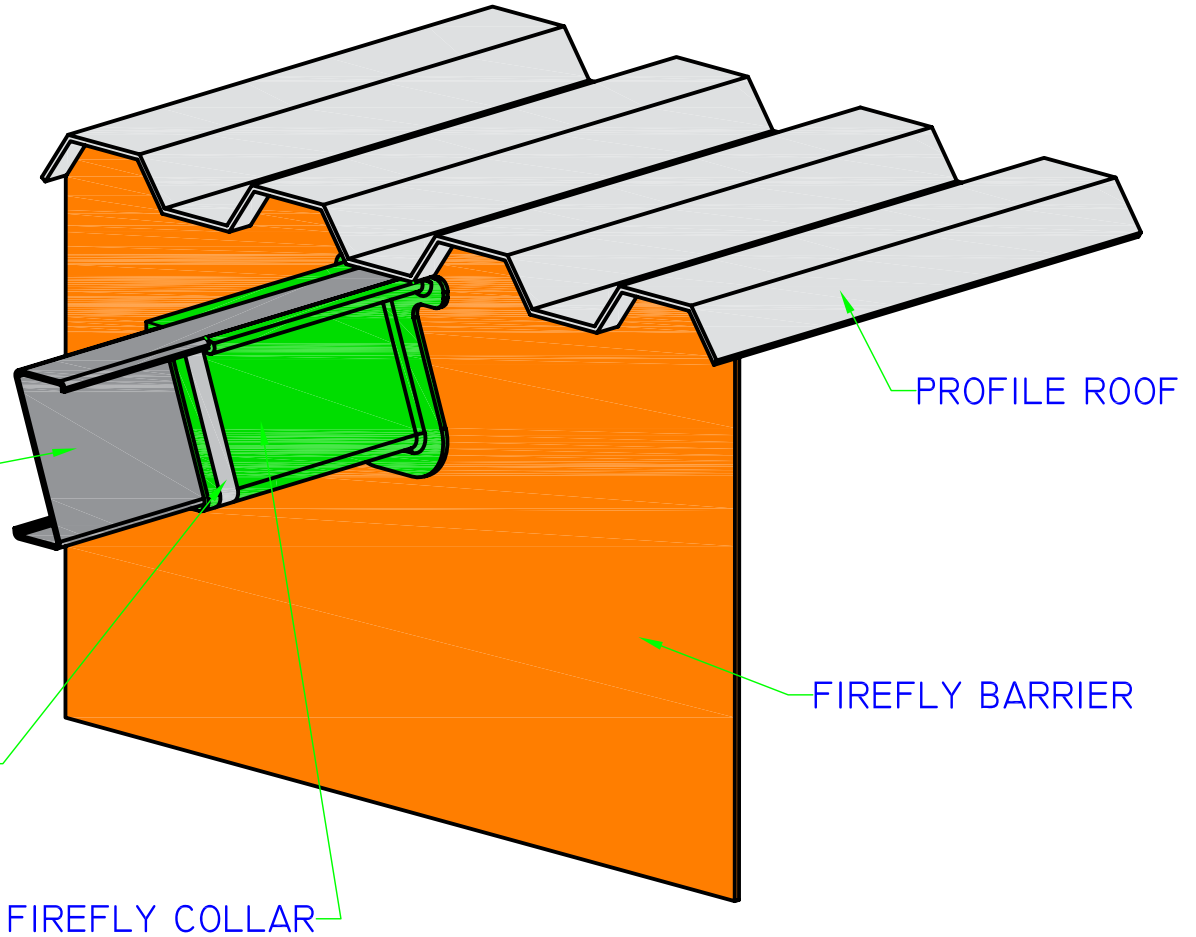


**TBA TEXTILES LIMITED**  
 Unit 3  
 Transpennine Trading Estate  
 Gorrells Way, Rochdale  
 OL11 2PX  
 Tel: +44 (0)1706 758817  
 Fax: +44 (0)1706 750256  
 www.tbafirefly.co.uk

<b>DRAWN:</b>	SNC
<b>CHECKED:</b>	MT
<b>APPROVED:</b>	VF
<b>SCALE:</b>	NTS
<b>DATE:</b>	26/05/08

**TITLE:**  
 FIREFLY -- ALL PRODUCTS  
 MULTIPLE & I-BEAM  
 PENETRATIONS  
**DRAWING No.**  
 TBA/FLY/022

CUT THE SHAPE OF THE PURLIN PENETRATION INTO THE FIREFLY BARRIER AND FORM AROUND THE PENETRATION. THEN WRAP THE PENETRATION WITH A FIREFLY COLLAR. THE COLLAR IS FIXED TO THE PURLIN WITH EITHER A FLAT GALVANISED STRAP AND/OR SUITABLE SCREWS. THE FLANGE OF THE COLLAR IS FIXED TO THE BARRIER USING 2 BEADS OF FIREFLY HIGH TEMPERATURE ADHESIVE.



GALVANISED STRAP  
25MM X 0.5MM FIXING COLLAR  
TO PURLIN WITH SUITABLE  
FIRE RATED FASTENERS

ISSUE	DESCRIPTION
A	NEW DRAWING

ALL RIGHTS RESERVED, NO PART OF THIS DRAWING MAY BE USED, REPRODUCED, ALTERED, STORED IN A RETRIEVAL SYSTEM OR TRANSMITTED IN ANY FORM OR BY ANY MEANS WITHOUT THE PRIOR WRITTEN PERMISSION OF TBA TEXTILES LIMITED. COPYRIGHT 2008.



**TBA TEXTILES LIMITED**  
Unit 3  
Transpennine Trading Estate  
Gorrells Way, Rochdale  
OL11 2PX  
Tel: +44 (0)1706 758817  
Fax: +44 (0)1706 750256  
www.tbafirefly.co.uk

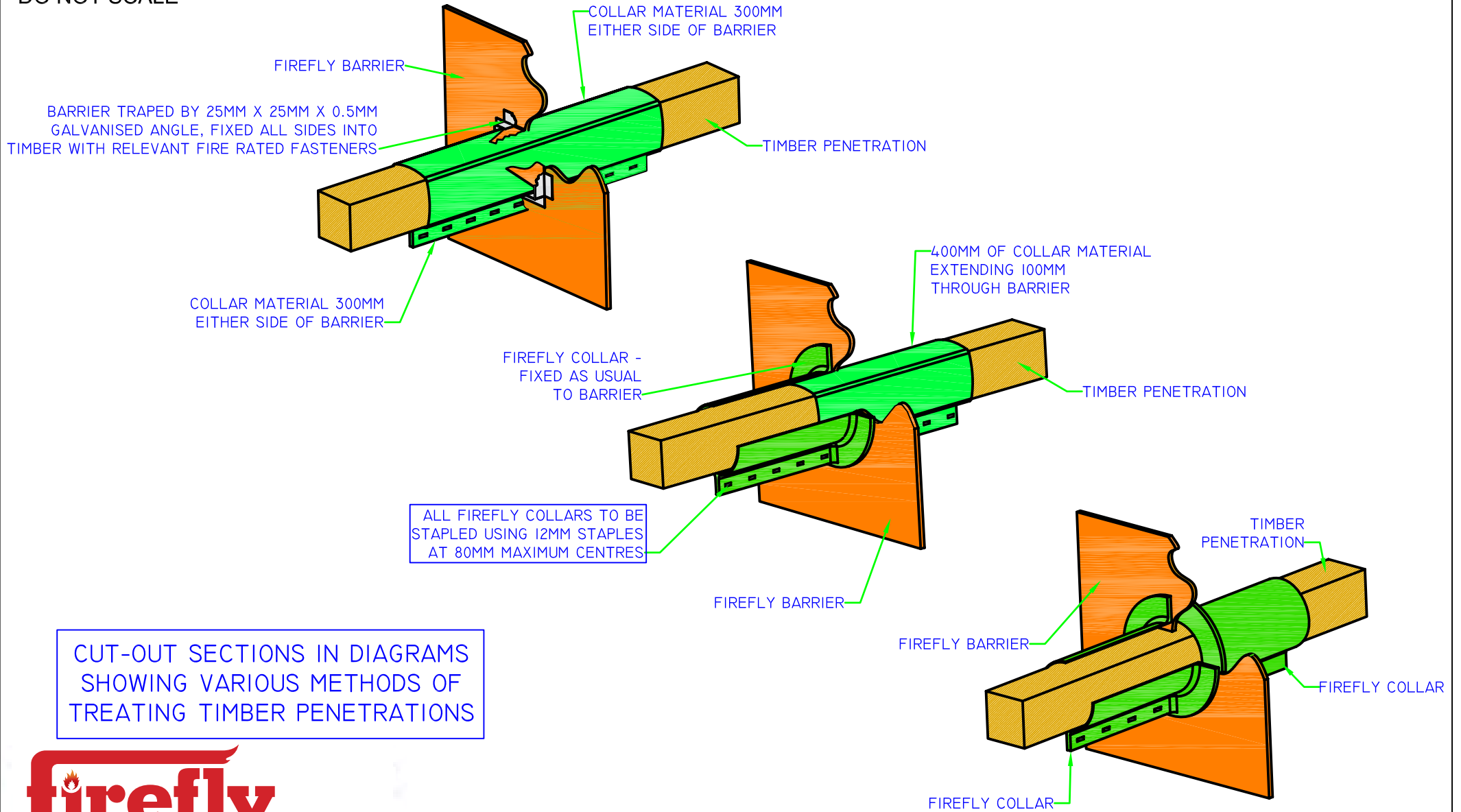
<b>DRAWN:</b>	SNC
<b>CHECKED:</b>	MT
<b>APPROVED:</b>	VF
<b>SCALE:</b>	NTS
<b>DATE:</b>	31/05/08

**TITLE:**  
FIREFLY -- ALL PRODUCTS  
Z-PURLIN PENETRATION  
  
**DRAWING No.**  
TBA/FLY/033



DO NOT SCALE

IF IN DOUBT ASK!



ALL RIGHTS RESERVED, NO PART OF THIS DRAWING MAY BE USED, REPRODUCED, ALTERED, STORED IN A RETRIEVAL SYSTEM OR TRANSMITTED IN ANY FORM OR BY ANY MEANS WITHOUT THE PRIOR WRITTEN PERMISSION OF TBA TEXTILES LIMITED. COPYRIGHT 2008.



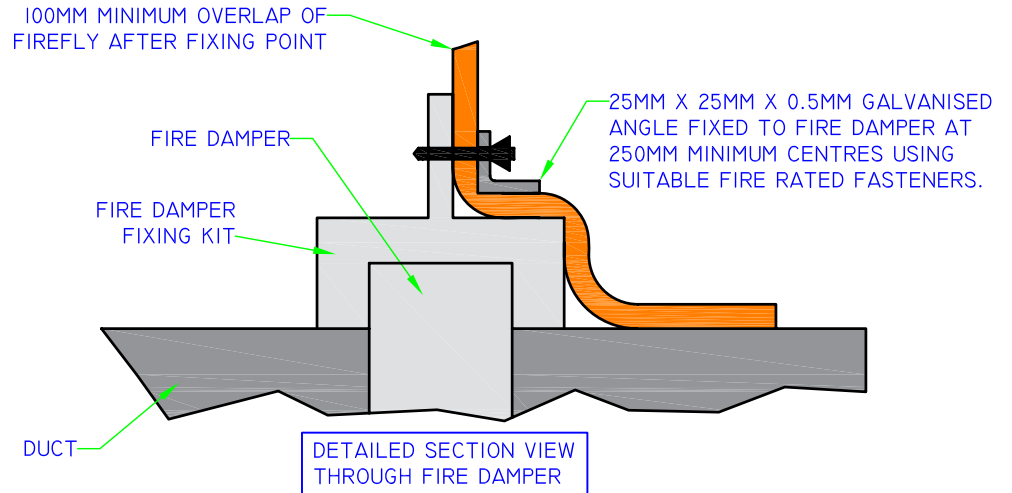
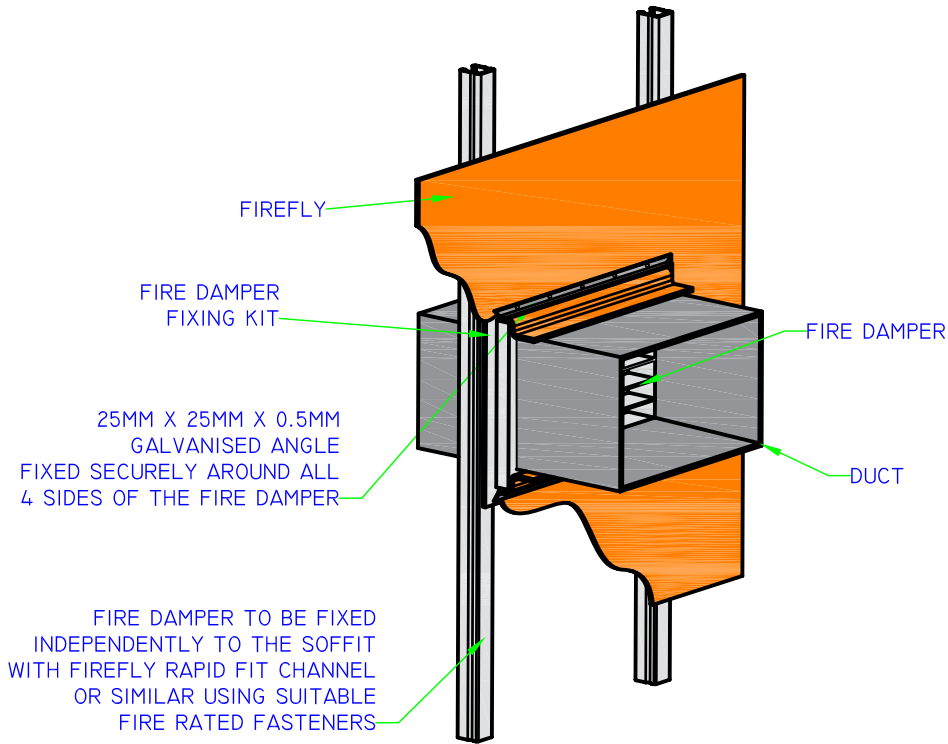
**TBA TEXTILES LIMITED**  
 Unit 3  
 Transpennine Trading Estate  
 Gorrells Way, Rochdale  
 OL11 2PX  
 Tel: +44 (0)1706 758817  
 Fax: +44 (0)1706 750256  
 www.tbafirefly.co.uk

<b>DRAWN:</b>	SNC
<b>CHECKED:</b>	MT
<b>APPROVED:</b>	VF
<b>SCALE:</b>	NTS
<b>DATE:</b>	29/05/08

**TITLE:**  
 FIREFLY -- ALL PRODUCTS  
 TIMBER PENETRATIONS

**DRAWING No.**  
 TBA/FLY/023

ISSUE	DESCRIPTION
A	NEW DRAWING



**WARNING!**  
 CONTRACTOR MUST ENSURE THAT SUPPORTS AND FIXINGS DO NOT FAIL AT THE REQUIRED LOADING OR SECTION CAPACITIES.



ALL RIGHTS RESERVED, NO PART OF THIS DRAWING MAY BE USED, REPRODUCED, ALTERED, STORED IN A RETRIEVAL SYSTEM OR TRANSMITTED IN ANY FORM OR BY ANY MEANS WITHOUT THE PRIOR WRITTEN PERMISSION OF TBA TEXTILES LIMITED. COPYRIGHT 2008.



**TBA TEXTILES LIMITED**  
 Unit 3  
 Transpennine Trading Estate  
 Gorrells Way, Rochdale  
 OL11 2PX  
 Tel: +44 (0)1706 758817  
 Fax: +44 (0)1706 750256  
 www.tbafirefly.co.uk

<b>DRAWN:</b>	SNC
<b>CHECKED:</b>	MT
<b>APPROVED:</b>	VF
<b>SCALE:</b>	NTS
<b>DATE:</b>	20/10/08

**TITLE:**  
 FIREFLY -- ALL PRODUCTS  
 FIRE DAMPER FIXING

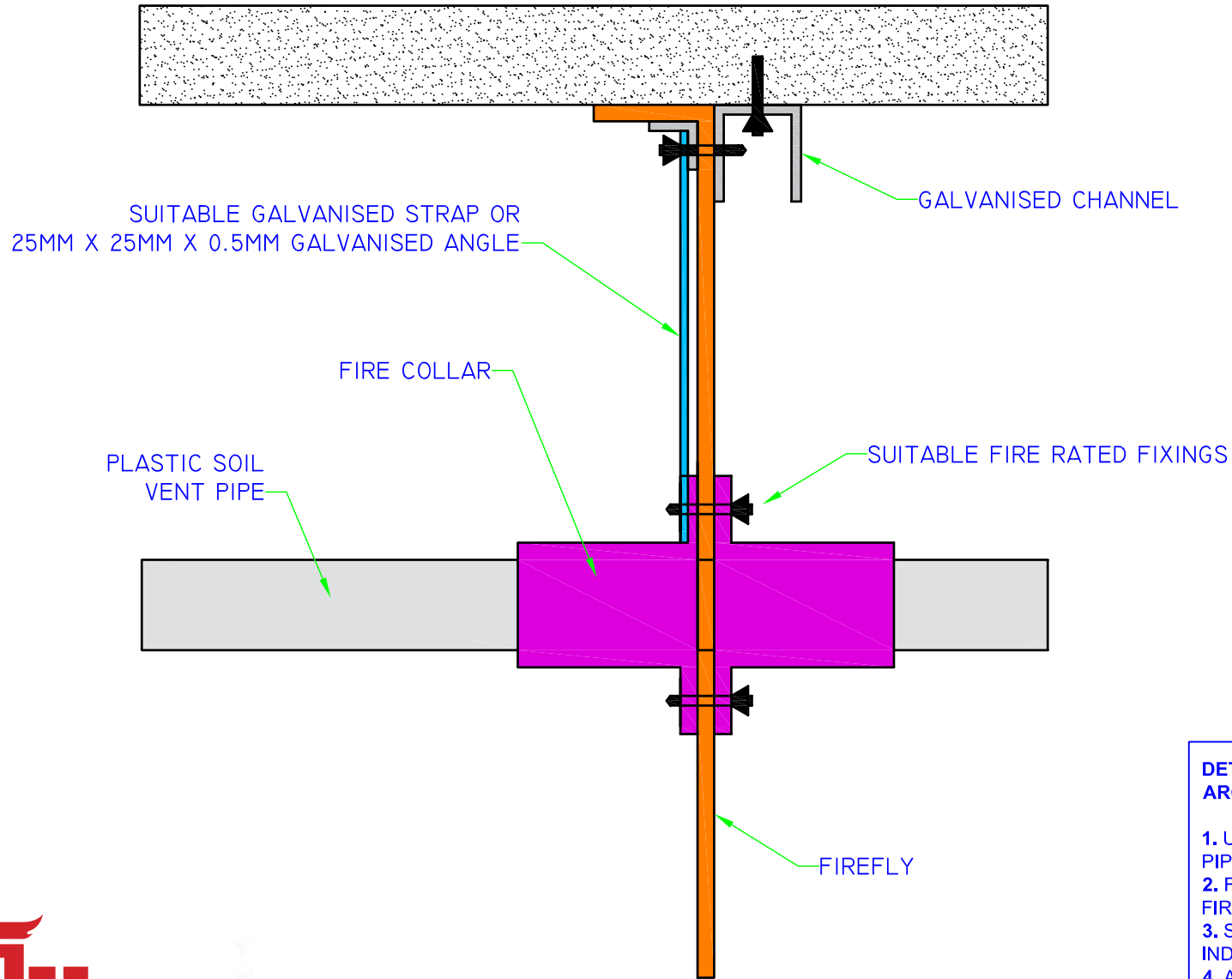
**DRAWING No.**  
 TBA/FLY/040

ISSUE	DESCRIPTION
A	NEW DRAWING



DO NOT SCALE

IF IN DOUBT ASK!



**DETAIL FOR FIREFLY SYSTEM  
AROUND PLASTIC PIPES**

1. USE CERTIFIED/FULLY TESTED PIPE CLOSER.
2. FIX CLOSER EITHER SIDE OF FIREFLY AS SHOWN.
3. SUPPORT PIPE CLOSER INDEPENDENTLY FROM SOFFIT.
4. ALL FIXINGS AS LAID OUT IN FIREFLY DRAWING CATALOGUE.



ALL RIGHTS RESERVED, NO PART OF THIS DRAWING MAY BE USED, REPRODUCED, ALTERED, STORED IN A RETRIEVAL SYSTEM OR TRANSMITTED IN ANY FORM OR BY ANY MEANS WITHOUT THE PRIOR WRITTEN PERMISSION OF TBA TEXTILES LIMITED. COPYRIGHT 2008.



**TBA TEXTILES LIMITED**  
Unit 3  
Transpennine Trading Estate  
Gorrells Way, Rochdale  
OL11 2PX  
Tel: +44 (0)1706 758817  
Fax: +44 (0)1706 750256  
www.tbafirefly.co.uk

<b>DRAWN:</b>	SNC
<b>CHECKED:</b>	MT
<b>APPROVED:</b>	VF
<b>SCALE:</b>	NTS
<b>DATE:</b>	10/04/12

**TITLE:**  
FIREFLY -- ALL PRODUCTS  
PLASTIC SOIL VENT PIPE  
THROUGH FIREFLY  
**DRAWING No.**  
TBA/FLY/098

ISSUE	DESCRIPTION
A	NEW DRAWING