

A fire rated mastic for internal use, containing acrylic emulsion, inert fillers and fungicide.

Description

Suitable for dry internal use only.

Joint widths 0 to 35 mm linear; 30 to 150 mm movement details.

Depth to width ratios 1:1 walls and floors; 2:1 split wall seals.

Standard colours are white and grey. Can be over-painted using acrylic paints (must be fully cured before over-coating).

Tack free time 15 to 60 minutes, depending on temperature/humidity.

Available Sizes

310 ml cartridge

600 ml foil pack

Also available in 20 litre pour or spray grade for use with Intumastic Soft Joint.

Fire Testing

- Tested at Exova BM Trada to BS EN 1366-3/4
- Tested at Exova Warrington Fire to BS476 Pt 22
- Third party accredited by Exova Warrington Fire, certificate number CF 578



Maximum Openings

- Maximum wall opening 35 mm x infinite length linear gap
- Maximum floor opening 35 mm x infinite length linear gap
- Maximum opening in movement seal 200 mm x infinite length

Features

- Tolerant to building movement
- May be over painted
- Fully tested for up to 240 minutes integrity and insulation
- Optifire Identification
- Tools off easily with water
- Air pressure tested up to 2000 Pa

Applications

Firetherm Intumastic may be used to fire seal linear joints between substrates in compartment locations. Intumastic may also be used in movement joints and offers a movement capability of up to 30%.

Typical Scenarios

- Fire and smoke seals
- Linear joint seals
- Floor movement seals
- Head of wall seals
- Intubatt bonding and pointing

May also be used for fire and smoke sealing around cables, steel pipes, copper pipes, cable trays, combustible pipes, dampers and ducting.

Installation

1:1 ratio wall 240 minutes integrity; 240 minutes insulation

1:1 ratio floor 240 minutes integrity; 240 minutes insulation

3mm over 100mm Firetherm Backer 240 minutes integrity; 240 minutes insulation; 30% movement.

10mm angled fillet to Intubatt edges or full depth plus fillet around services.

Coverage

10 mm wide seal - 3.25 m approx.

15 mm wide seal - 1.35 m approx.

20 mm wide seal - 0.78 m approx.

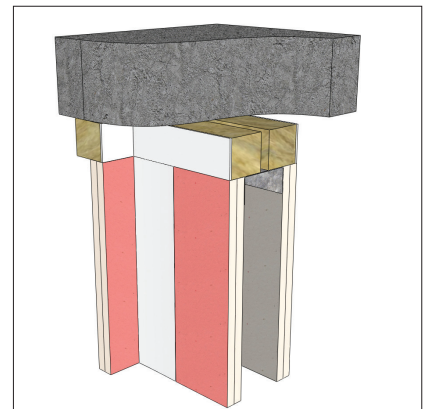
Or use formula:

$$\frac{\text{Gap width mm} \times \text{sealant depth mm} \times \text{linear metres}}{310 \text{ ml}}$$

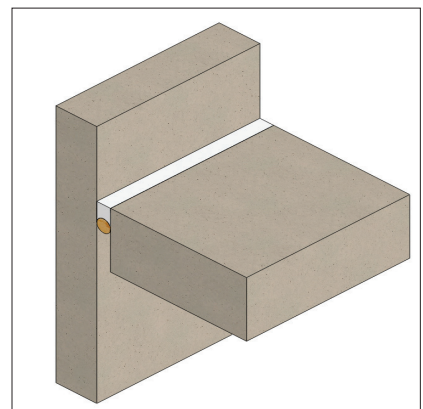
For example:

$$\frac{10 \text{ mm gap} \times 10 \text{ mm} \times 100 \text{ metre run}}{310 \text{ ml}} = 32.25 \text{ tubes}$$

Typical Details



Linear mastic movement seal



Typical floor to wall mastic seal